



THAGO (M) SDN BHD
JOHOR BAHRU
NO. 27, JALAN MUTIARA EMAS 5/26,
TAMAN MOUNT AUSTIN,
81100 JOHOR BAHRU
Tel : 07352 5510
Fax : 1700813605
thago@thago.net
adminjb@thago.net

SS THAGO (M) SDN BHD
SABAH
3-GF & 1F, BANDAR LETAT JAYA,
LORONG LETAT JAYA 6,
BLOCK J, MILE 3.1/2,
90000 SANDAKAN, SABAH
Tel : 089 - 222 844
Fax : 089 - 211 844
thagosp@thago.net

YSQ-150 series Mechanical Fuel Flow Meter is used for fuel transferring application , diesel fuel, gasoline, kerosene ect. These flow meters are reliable, inexpensive, easy to install and simple to calibrate on the workplace. It has the advantage of large, easy to read, quick reset knob, flexible flow ports can be positioned vertically or horizontally. The easy reset register indicates product use up to 999/999.9. The master totalizer registers up to 999999/9999,9999.

aluminum metering chamber, thread connection, mechanical readout device with rotating wheels.



Fuel Meter

PERFORMANCE SPECIFICATIONS



YSQ-150-C Diesel Flow Meter

Model:YSQ-150-C

Unit :L/ US Gallon/UK Gallon

Flow range:20-80L/M or 5--21 GPM

Accuracy:±2%

Diameter: Inlet/Outlet1' or Inlet 3/4' /Outlet 1'

Medium: diesel fuel, gasoline, kerosene

Operation: Mechanical Size:175 * 150 *

120MM

Register:Reset:3 digits;Totalizer:6 digits

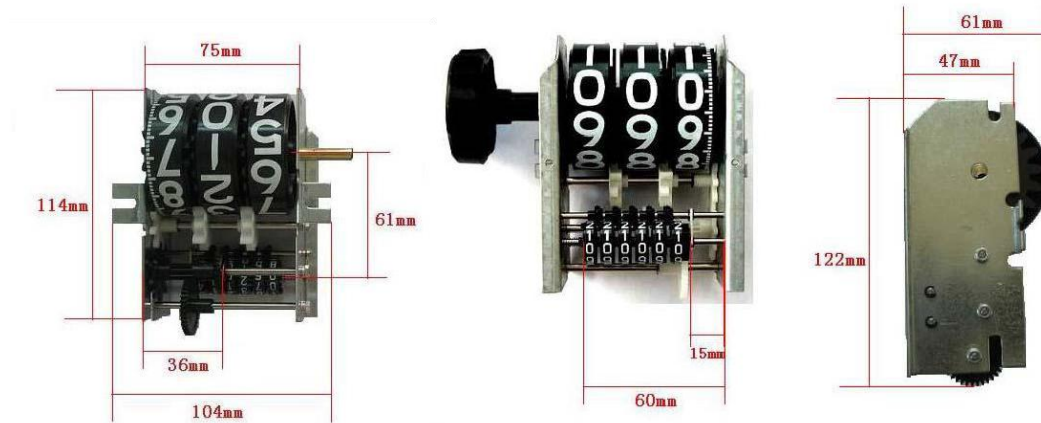
Construction: All aluminum

Installation: vertically or horizontally.



Fuel Meter

DETAILS



Technical Information

Model	Max Working Pressure		Flow Range		Measure Unit	Inlet/Outlet	Size	Weight KG		Packing
	Bar	PIS	L/M	GPM				MM	Net	
YSQ-150-C-1	3.5	50	20-80		Liter	Inlet:1' Outlet:1'				6pcs/case
YSQ-150-C-2	3.5	50		5--21	US Gallon	Inlet:3/4' Outlet:1'	175 *	2.5	3	size:63*29* 38CM
YSQ-150-C-3	3.5	50	20-80		Liter	Inlet:3/4' Outlet:1'	150 *			Weight:18 KG
YSQ-150-C-4	3.5	50		5--21	US Gallon	Inlet:1' Outlet:1'	120			



Fuel Meter

1



b



PERFORMANCE SPECIFICATIONS

YSQ-150-B Diesel Flow Meter

Model:YSQ-150-B

Unit :L/ US Gallon/UK Gallon

Flow range:20-120L/M or 5--32 GPM

Accuracy:±2%

Diameter: Inlet/Outlet :1' / 1 1/2' / 2'

Medium: diesel fuel, gasoline, kerosene

Operation: Mechanical

Size:260*160*140MM

Register:Reset:4 digits;Totalizer:8 digits

Construction: All Aluminium

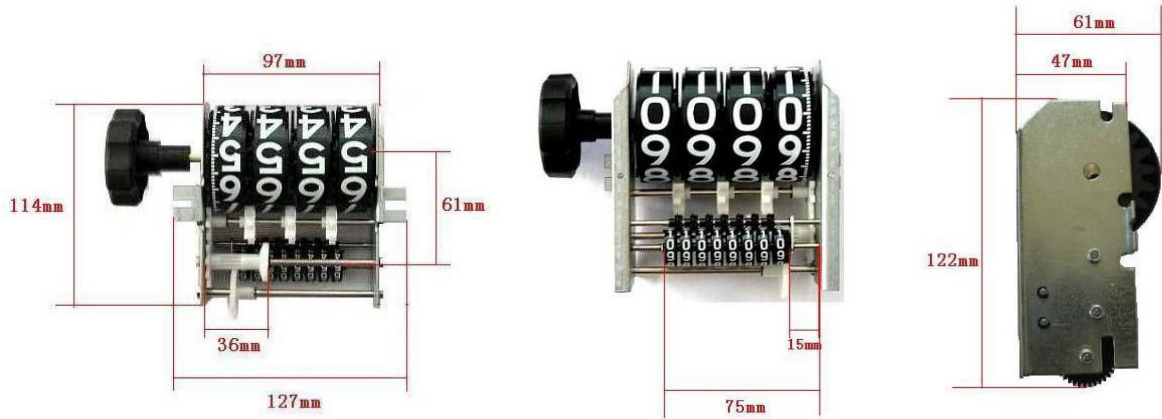
Installation: vertically or horizontally.

Operation pressure:0--3.5Bar/50PSI



Fuel Meter

DETAILS



Technical Information

Model	Max Working Pressure		Flow Range		Measure Unit	Inlet/Outlet	Size	Weight KG		Packing
	Bar	PI S	L/M	GPM				MM	Net	
YSQ-150-B-a/b-1	3.5	50	20-120		Liter	Inlet:1' Outlet:1'	260 * 160 * 140	3.3	4	6pcs/case size:63*29* 38CM Weight:24 KG
YSQ-150-B-a/b-2	3.5	50		5--32	US Gallon	Inlet:1' Outlet:1'				
YSQ-150-B-a/b-3	3.5	50	20-120		Liter	Inlet:1 1/2' Outlet: 1 1/2'				
YSQ-150-B-a/b-4	3.5	50		5--32	US Gallon	Inlet:1 1/2' Outlet: 1 1/2'				
YSQ-150-B-a/b-5	3.5	50	20-120		Liter	Inlet:2' Outlet:2'				
YSQ-150-B-a/b-6	3.5	50		5--32	US Gallon	Inlet:2' Outlet:2'				



Fuel Meter

PERFORMANCE SPECIFICATIONS



YSQ-150-A Diesel Flow Meter

Model:YSQ-150-A

Unit :L/ US Gallon/UK Gallon

Flow range:19-76L/M or 5--20GPM

Accuracy:±2%

Diameter: Inlet/Outlet :1"

Medium: diesel fuel, gasoline, kerosene

Operation: Mechanical

Size:250*150*130MM

Register:Reset:4 digits;Totalizer:8 digits

Construction: Plastic Housing, Aluminum metering chamber

Installation: vertically or horizontally.

Operation pressure:0--3.5Bar/50PSI



Fuel Meter

DETAILS



Technical Information

Model	Max Working Pressure		Flow Range		Measure Unit	Inlet/Outlet	Size	Weight KG		Packing
	Bar	PI S	L/M	GPM				MM	Net	
YSQ-150-A-1	3.5	50	19-76		Liter	Inlet:1' Outlet:1'	250 * 150 * 130	2.5	3	6pcs/case size:63*29* 38CM Weight:18K G
YSQ-150-A-2	3.5	50		5--20	US Gallon	Inlet:1' Outlet:1'				

